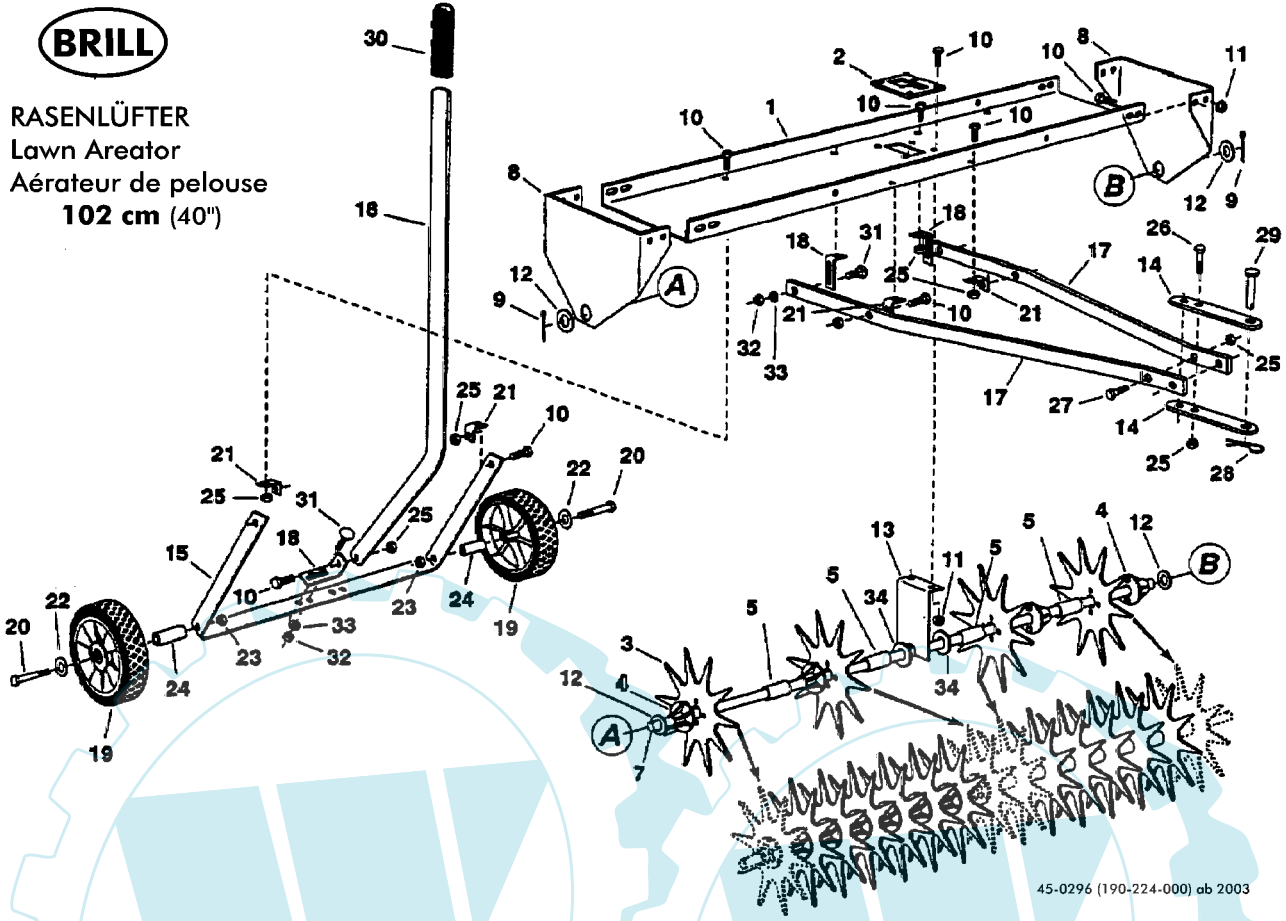


| | | | |
|-------------|-------------------------------------|--------------|-------------------------------------------------------|
| 1/1 | Zubehör / Rasentraktoren | BRILL | Rasenlüfter / Areator Art.78713 Modell 2003 |
| 2005 | Accessories / Lawn Tractors | | |
| Rev20051202 | Accessoires / Tobdeuses autoportées | | |



BRILL
RASENLÜFTER
 Lawn Aerator
 Aérateur de pelouse
102 cm (40")

45-0296 (190-224-000) ab 2003

| Bild Nr. REF.N° POS.N° | BEST.-NR. PART-N° N° d. PIECE | BEZEICHNUNG | DESCRIPTION | Anzahl Qty. Qte. |
|------------------------------|-------------------------------------|--------------------------------|-----------------------|------------------------|
| 1 | GB AF-24597 | HALTEBLECH (40") | Bracket 40" | 1 |
| 2 | GB AF-24594 | PLATTE | Plate | 1 |
| 3 | GB AF-23900 | STERNMESSER, RASENLÜFTER | Aerator blade | 15 |
| 4 | GB AF-45148 | MITNEHMER | Attechement | 15 |
| 5 | GB AF-44494 | ROHR | Tube | 15 |
| 7 | GB AF-24598 | ACHSE (40") | Axle 40" | 1 |
| 8 | GB AF-24599 | SEITENTEIL | Side bar | 2 |
| 9 | GB AF-43501 | SPLINT | Pin | 2 |
| 10 | GB AF-43182 | SKT-SCHR.5/16-18X.75"LG. | Screw 5/16-18X.75"LG. | 23 |
| 11 | GB AF-46584 | MUTTER | Nut | 12 |
| 12 | GB AF-43009 | UNTERLAGSCHEIBE | Washer | 8 |
| 13 | GB AF-24600 | HALTEBLECH | Support plate | 1 |
| 14 | GB AF-23981 | ANHÄNGEPLATTE | Coupling plate | 2 |
| 15 | GB AF-24595 | HALTEBÜGEL | Bracket | 1 |
| 16 | GB AF-24596 | VERSTELLHEBEL | Adjustment lever | 1 |
| 17 | GB AF-23914 | HEBEL | Lever | 2 |
| 18 | GB AF-23442 | HALTEWINKEL | Angle | 3 |
| 19 | GB AF-44238 | RAD | Wheel | 2 |
| 20 | GB AF-43432 | SKT-BOLZEN | Bolt | 2 |
| 21 | GB AF-23826 | HALTEWINKEL | Angle | 4 |
| 22 | GB 736-0692 | SCHEIBE DIN 125 | Washer | 2 |
| 23 | GB 712-0342 | SKT-STOP-MUTTER 3/8-16" | Stop-nut | 2 |
| 24 | GB AF-23906 | LAGER | Bearing | 2 |
| 25 | GB 712-0158 | S-MUTTER:5/16-18:GR A:CTRLK | Nut | 15 |
| 26 | GB AF-44180 | GEWINDEBOLZEN | Stud bolt | 2 |
| 27 | GB AF-43840 | SKT.-SCHRAUBE 5/16-18X1-1/4"LG | Screw | 2 |
| 28 | GB AF-43343 | FEDERSTECKER | Cotter pin | 1 |
| 29 | GB AF-47623 | ABSTECKBOLZEN | Bolt | 1 |
| 30 | GB AF-43943 | PLASTIKGRIF | Grip | 1 |
| 31 | GB 710-0451 | FL.RUNDSCHR.5/16-18:.750 GR1 | Screw | 4 |
| 32 | GB AF-43083 | SKT-MUTTER 5/16-18 | Nut | 4 |
| 33 | GB AF-43086 | FEDERRING 5/16 | Spring ring | 4 |
| 34 | GB AF-1540-162 | UNTERLAGSCHEIBE | Washer | 2 |